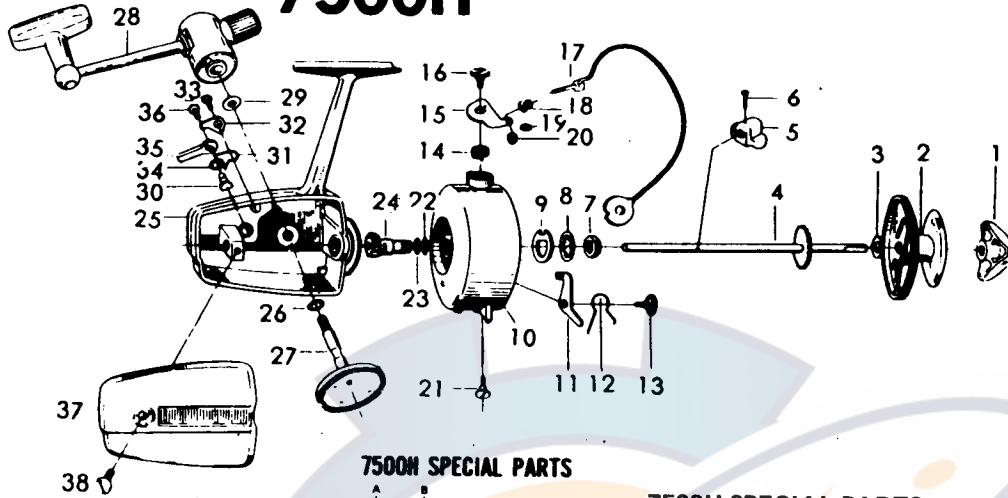
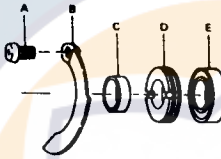


SPINNING REEL

## 7500 7500H



7500H SPECIAL PARTS



7500H SPECIAL PARTS

- A 63515801 Cushion spring retaining screw
- B 61505221 Cushion spring
- C 65002131 Pinion collar
- D 63407721 Ball bearing retaining nut
- E 66310041 Ball bearing

LINE CAPACITY: 270 YDS., 12 LB. TEST (230m Dia. 0.35mm)

Key No.	Parts No.	Parts Name	Key No.	Parts No.	Parts Name
1	60051802	Drag knob	25	60053323	Body
2	60007041	Spool assembly	26	63700352	Drive gear washer
3	63712731	Spool washer	27	64114411	Drive gear
4	60043331	Main shaft	28	60006141	Handle
5	64803231	Oscillating slider	29	63713011	Handle washer
6	64902421	Oscillating slider pin	30	64601861	Anti-reverse cam
7	63405842	Rotor nut	31	61409031	Anti-reverse claw spring
8	61601611	Rotor washer	32	61101711	Anti-reverse claw
9	63713111	Rotor retaining washer	33	63512561	Anti-reverse claw screw
10	60043151	Rotor	34	61501751	Anti-reverse lever washer
11	65702641	Bail kick lever	35	65401911	Anti-reverse lever
12	61405031	Bail kick lever spring	36	63501931	Anti-reverse lever screw
13	63611511	Bail kick lever screw	37	67056201	Body cover
14	61412801	Bail spring	38	63606911	Body cover screw
15	62301651	Arm lever	(19, 22, 23, 7500 only)		
16	63616411	Arm lever screw	<b>For 7500H only</b>		
17	60029021	Bail	20	63408201	Bail nut
18	62501011	Line roller	24	64006971	Pinion
19	61600121	Bail washer	25	61908932	Body
20	63402011	Bail nut	27	64114531	Drive gear
21	63616501	Bail holder screw	28	60006142	Handle
22	63713801	Pinion adjusting washer	32	61101711	Anti-reverse claw
23	63712823	Pinion washer	37	67056202	Body cover
24	64005521	Pinion			